

**PLEASE CHECK WWW.MOLEX.COM FOR LATEST PART INFORMATION**

**Part Number:** [0357607200](#)  
**Status:** **Active**  
**Description:** Wire Splice, 12-16 AWG, Un-Plated

**Documents:**

[Packaging Specification \(PDF\)](#)      [Product Specification PS-35760-003 \(PDF\)](#)  
[Drawing \(PDF\)](#)      [RoHS Certificate of Compliance \(PDF\)](#)

**General**

Product Family	Splices
Series	<a href="#">35760</a>
Crimp Quality Equipment	Yes
Mil-Spec	N/A
Product Name	N/A

**Physical**

Barrel Type	Open
Insulation	None
Material - Metal	Brass
Packaging Type	Reel
Temperature Range - Operating	-30°C to +105°C
Wire Insulation Diameter	3.5mm (.138")
Wire Size AWG	12, 14, 16
Wire Size mm <sup>2</sup>	1.50 - 2.50

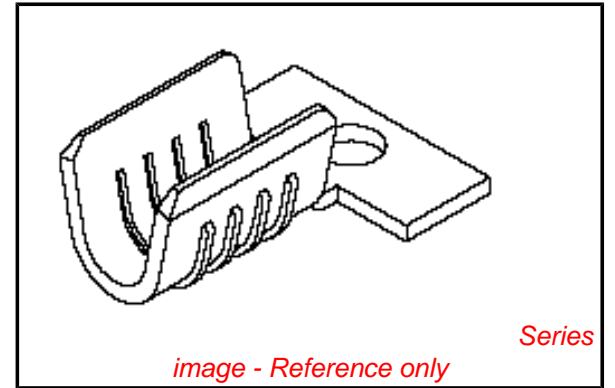
**Electrical**

Voltage - Maximum	200V AC (RMS)/DC
-------------------	------------------

**Material Info**

**Reference - Drawing Numbers**

Product Specification	PS-35760-003
Sales Drawing	SD-35760-002, SD-35760-7**0



**EU RoHS**

**ELV and RoHS  
Compliant**  
**REACH SVHC  
Contains SVHC: No**  
**Halogen-Free  
Status**

**China RoHS**

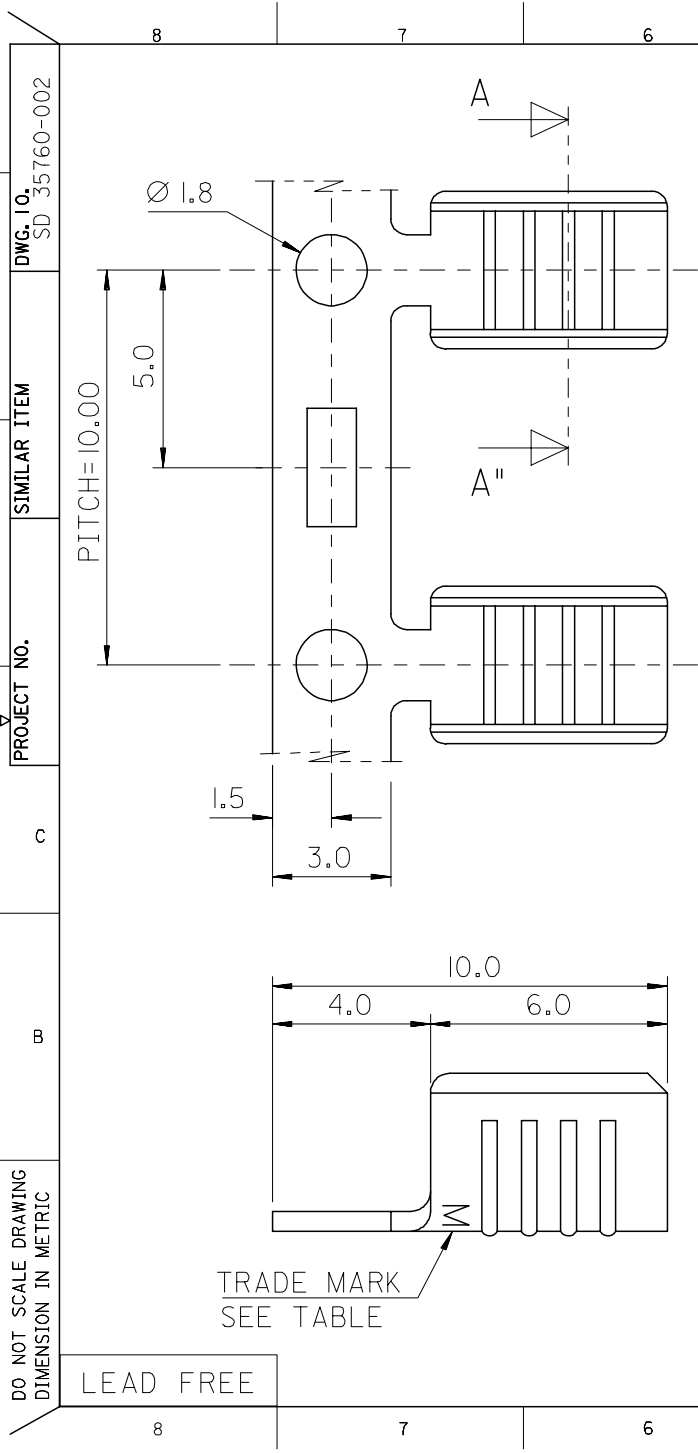


**Need more information on product  
environmental compliance?**

Email [productcompliance@molex.com](mailto:productcompliance@molex.com)  
For a multiple part number RoHS Certificate of Compliance, [click here](#)

Please visit the [Contact Us](#) section for any non-product compliance questions.

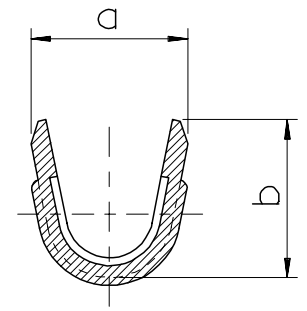
**Search Parts in this Series**  
[35760Series](#)



NOTES

- 1. MATERIAL : BRASS , 0.5mm THICKNESS
- 2. PART NO.

PART NO.	a	b	FINISH	△B	△B
				WIRE RANGE	QUANTITY
35760-7100	3.3	3.3	UNPLATED	0.5~1.5mm <sup>2</sup>	6,000/REEL
35760-7110			POST PLATED TIN		
35760-7140			TIN-LEAD		
LEAD FREE 35760-7160	4.2	4.2	POST PLATED TIN	1.5~2.5mm <sup>2</sup>	5,000/REEL
35760-7200			UNPLATED		
35760-7210			POST PLATED TIN		
35760-7240			TIN-LEAD		
LEAD FREE 35760-7260			POST PLATED TIN		



SEC' : A-A"

ADDITION OF OPTION EC NO. KOR2006-0064 DRWN: SY.PARK 05/12/16 CHK: BC.YOON 05/12/16 APPR: SH.CHOI 05/12/16	QUALITY SYMBOLS MAJOR = 0 CRITICAL = 0	GENERAL TOLERANCES: (UNLESS SPECIFIED)		SCALE 8:1	DESIGN UNITS <input checked="" type="checkbox"/> mm <input type="checkbox"/> INCH	THIRD ANGLE PROJECTION <input checked="" type="checkbox"/> <input type="checkbox"/>	DIMENSIONS: <input type="checkbox"/> mm <input type="checkbox"/> INCH <input checked="" type="checkbox"/> mm ONLY	SHT	REV
		4 PLACES	±0.	±.	DRAWN BY & DATE J.S.KANG 93/10/07		TITLE: WIRE SPLICE (S),(SM)		
		3 PLACES	±0.	±.	CHECKED BY & DATE B.K.CHOI 93/10/07				
		2 PLACES	±0.20	±.	APPROVED BY & DATE C.W.LEE 93/10/07		MOLEX INCORPORATED KOREA		
1 PLACE	±0.30	±.	ANGULAR: ± °		CAD FILENAME S7607100.DGN	MATERIAL NO. SEE TABLE	DRAWING NO. SD-35760-002	SHEET NO. 10F1	SIZE B
REV		DESCRIPTION		DRAFT WHERE APPLICABLE MUST REMAIN WITHIN DIMENSIONS		THIS DRAWING CONTAINS INFORMATION THAT IS PROPRIETARY TO MOLEX INCORPORATED AND SHOULD NOT BE USED WITHOUT WRITTEN PERMISSION.			MX-A3

DO NOT SCALE DRAWING DIMENSION IN METRIC

LEAD FREE

TRADE MARK SEE TABLE

DWG. IO. SD 35760-002

SIMILAR ITEM

PROJECT NO.

c

b

DO NOT SCALE DRAWING DIMENSION IN METRIC

F

E

D

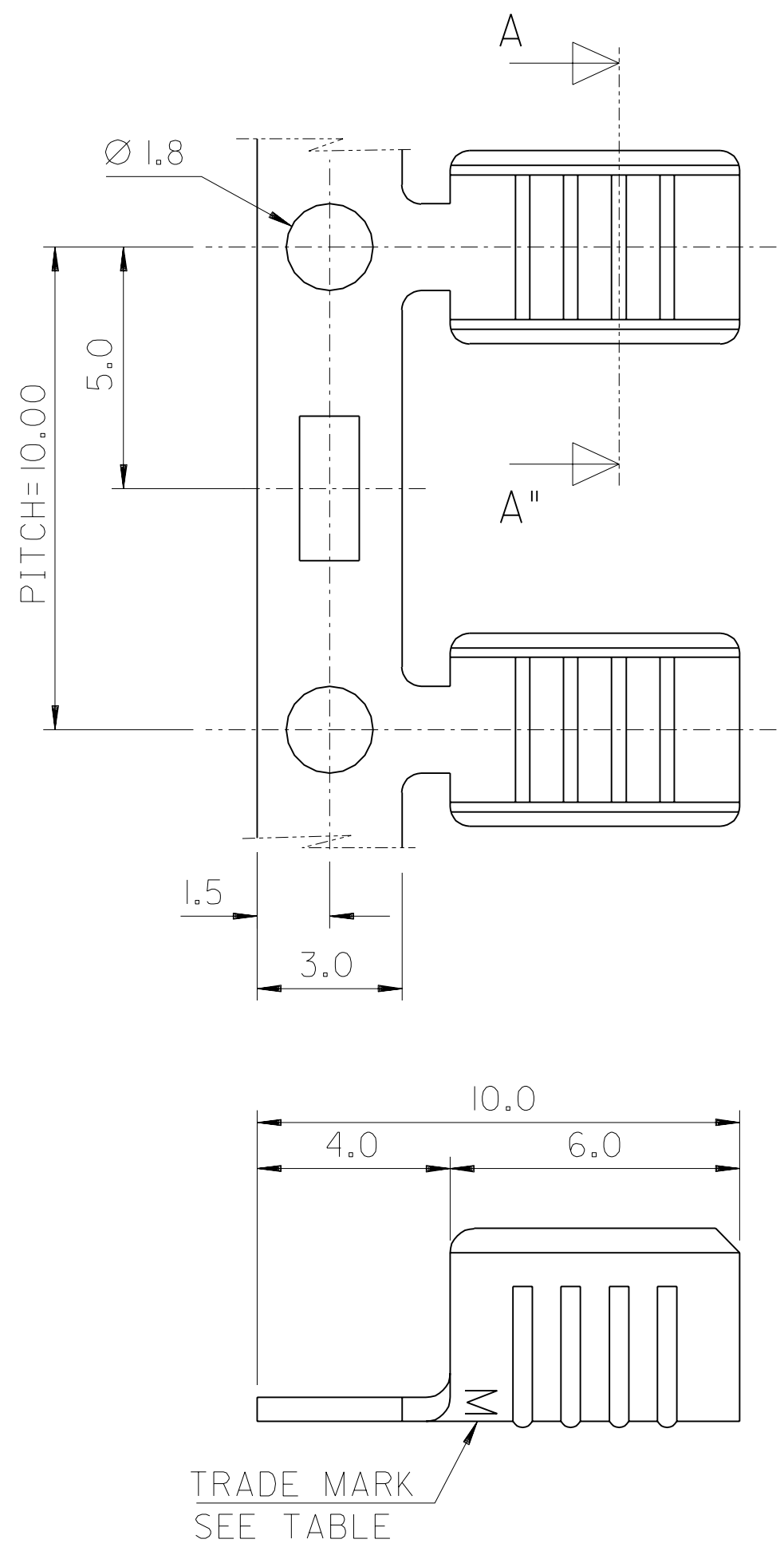
C

B

A

MX-A3

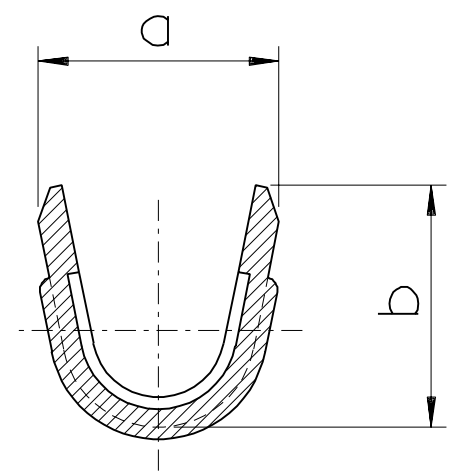
DWG. NO. SD 35760-7\*\*0  
 SIMILAR ITEM  
 PROJECT NO.  
 DO NOT SCALE DRAWING DIMENSION IN METRIC



NOTES

1. MATERIAL : BRASS , 0.5mm THICKNESS
2. PART NO.

PART NO.	DIM'S		FINISH	WIRE SIZE	MAT'L THICK'	TRADE MARK
	a	b				
35760-7100	3.3	3.3	UNPLATED	AWG #20-#16	0.5mm	MK2
35760-7110			POST PLATED TIN			
35760-7140			TIN-LEAD			
35760-7200	4.2	4.2	UNPLATED	AWG #16-#12	0.5mm	MK2
35760-7210			POST PLATED TIN			
35760-7240			TIN-LEAD			
35760-7205	4.2	4.2	POST PLATED TIN		0.4mm	MK24



REVISED	EC NO. DRWN: W.Y. YANG 01/11/15 CHK: APPR:	DESCRIPTION	QUALITY SYMBOLS MAJOR $\blacktriangledown = 0$ CRITICAL $\blacktriangle = 0$	GENERAL TOLERANCES: (UNLESS SPECIFIED)		SCALE 8:1	DESIGN UNITS <input checked="" type="checkbox"/> mm <input type="checkbox"/> INCH	THIRD ANGLE PROJECTION	DIMENSIONS: <input type="checkbox"/> mm <input type="checkbox"/> INCH <input checked="" type="checkbox"/> mm ONLY	SHT	REV
				4 PLACES $\pm 0.$	$\pm .$	DRAWN BY & DATE J.S.KANG 93/10/07	TITLE: WIRE SPLICE (S),(SM)				
B	REV			3 PLACES $\pm 0.$	$\pm .$	CHECKED BY & DATE B.K.CHOI 93/10/07	MOLEX INCORPORATED KOREA				
				2 PLACES $\pm 0.20$	$\pm .$	APPROVED BY & DATE C.W.LEE 93/10/07	MATERIAL NO. SEE TABLE	DRAWING NO. SD-35760-7**0	SHEET NO. 10F1		
				1 PLACE $\pm 0.30$	$\pm .$	CAD FILENAME S7607100.DGN	THIS DRAWING CONTAINS INFORMATION THAT IS PROPRIETARY TO MOLEX INCORPORATED AND SHOULD NOT BE USED WITHOUT WRITTEN PERMISSION.			SIZE B	
				ANGULAR: $\pm$ °		DRAFT WHERE APPLICABLE MUST REMAIN WITHIN DIMENSIONS					